

RAY50 OPTICAL NODE

Features

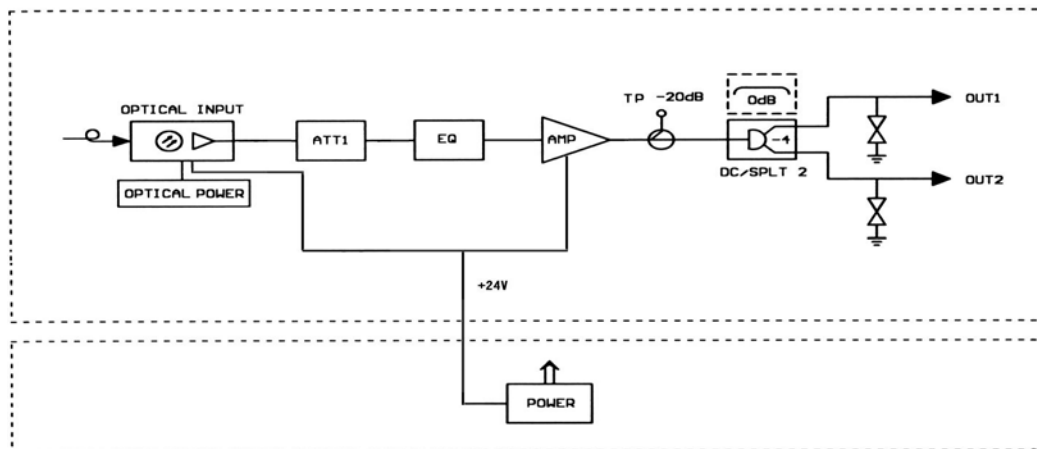
- Standardized modular design, easy for maintenance and upgrade.
- Optional 2 outputs; available in splitting or coupling
- High output level
- GaAs technology guaranteeing the high performance
- Compact and easy installation
- Simplified accessories. Plug-in attenuator can be used either as equalizer or attenuator



Specifications

Optical Performance		RF Performance	
Operating wavelength	1290~1600nm	RF frequency	47 ~ 862MHz
Input power	-8 to 0dBm	RF output level (@ -1dBm optical input, 6dB slope)	110 ±1dBμV
Sensitivity	8.0pA / sqrt (Hz)	Flatness	±0.75dB
<i>General</i>		RF impedance	75Ω
		RF return Loss	≥16dB
Operating voltage	AC 220V / 50Hz	RF test point	-20±1dB
Power consumption	18W	Plug-in attenuator	0 ~ 6dB , 2dB/step or 1dB/step
RF Connector	F-type	Plug-in equalizer	0 ~6dB, 2dB/step or 1dB/step
Optical Connector	SC/APC	Link Performance	
Operating temperature	-20 ~ +55°C	(@ -1dBm Optical Input, 6dB Slope, Carrier Loading 59 PAL Channels, Single Output Level 110dBμV)	
Dimensions (W x D x H)	180mm x 140mm x 75mm	CNR	-52dB
Weight	1.2Kg	CTB	-65dB
		CSO	-60dB

Diagram



In the interest of continued product improvement, photographic representations, written descriptions and specifications are subject to change without notice